

EVO1-12V AC/DC DATA SHEET

all|LIGHT

5
YEAR
WARRANTY



Operation and Maintenance Tips

- * Turn power off before inspection, installation or removal
- * Lamps should be kept free from contamination.
- * The product is not suitable for emergency lighting
- * Do not use with damaged parts

Energy Class



Product information

The **EVO1 12V AC/DC** Mini Downlight is a nice product suitable for most shelf, kitchen or cabinet lighting. It works well with various electronic transformers.

Features

- * Wago terminals enable easy wiring work
- * IP 54 rated, suitable for damp locations
- * Suitable for cutting holes with diameter from 56~62mm
- * Suitable for recessed installation or surface mounted installation
- * L90 lifetime 50,000hrs. 5 Year Limited Warranty.
- * In ceiling height 10.7 mm, CRI up to Ra97
- * Complied with IEC/EN62471 photobiological safety standard

Electrical and Photometric Characteristics

Nominal Voltage	12V AC/DC
Input power	2.8W
Power Factor	0.8
Working temperature range	-20°C ...+40°C
Starting time	< 0.5 s
L90 Lifetime at Ta: 25°C	50,000 hrs
Switching cycles	> 100,000 times
Safety class	Class III
Beam angle	60°
Dimmable	No
SDCM	3 steps
Risk group (EN 62471:2008)	RG1
IP rating	IP54
PstLM	< 1
SVM	< 0.4

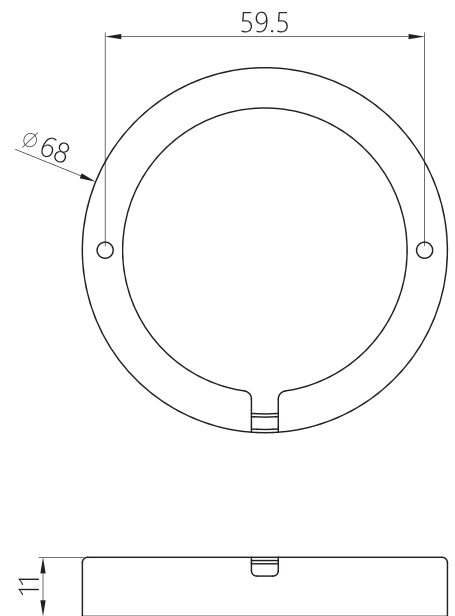
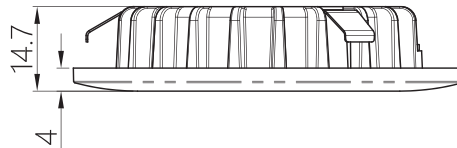
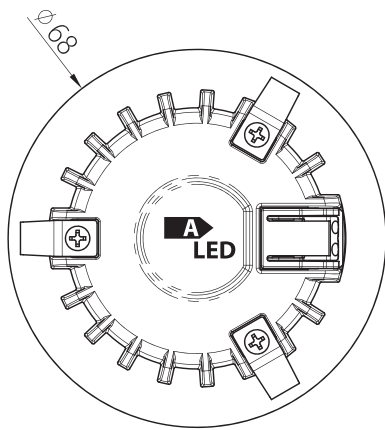
Specifications

EAN 13 Code	Module Wattage*	Input Voltage	CCT (Kelvin)*	Rated Flux (Lm) *	CRI (Ra)*	Beam angle*	Energy Class	SDCM	Trim Color	Size mm (DxH)
EVO1-12V Hvid										
5703070001001	2.8 W	12 V AC/DC	2700 K	250 Lm	97 Ra	60°	F	3	White	68x14.7
5703070002008	2.8 W	12 V AC/DC	3000 K	270 Lm	97 Ra	60°	F	3	White	68x14.7

* Due to the special conditions of the manufacturing processes of LED, the typical data of technical parameters can only reflect statistical figures and do not necessarily correspond to the actual parameters of each single product which could differ from the typical value. A max 10% tolerance is deemed to be acceptable in any case.

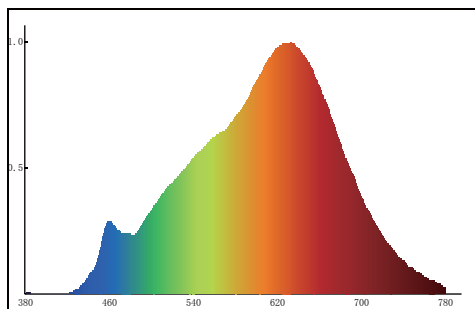
* The product needs to work with external LED constant voltage driver or electronic transformer.

EAN 13 Code	Material	Trim Color	Size mm (DxH)
Påbygningsring Hvid			
5703060000175	Metal	White	68x11
Påbygningsring Børstet			
5703060000182	Metal	Brushed	68x11
Påbygningsring Sort			
5703060000199	Metal	White	68x11

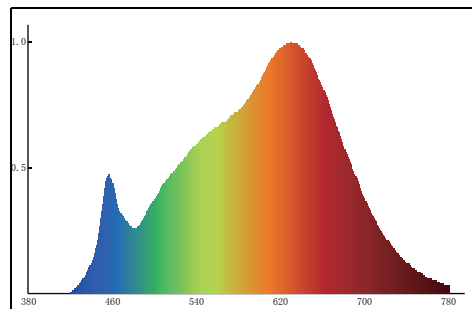


Spectrum Distribution

Warm white - 2700K



Warm white - 3000K



Tested electronic transformers

The EVO 1 12V AC/DC already tested with electronic transformers listed in below chart. The compatibility test is based upon testing conducted by ALED in a lab simulated environment, and the results can vary in certain field applications due to a number of factors. ALED does not take over any responsibility, warranty or liability that this results can also achieved by using the devices under other conditions, or when using successor models of the tested devices , or different models of the same manufacturer. The EVO 1 12V AC/DC is not dimmable, improper use will lead to destory of the product.

Vendor	OSRAM	OSRAM	OSRAM	OSRAM	LEDVANCE	PHILIPS
Model	HTM70/230-240	HTM105/230-240	ET-Parrot 105/220-240	ET-LED 30/220-240	LVED VAL 12/220-240/12VAC DIM	Certaline 150W
Number of lamps on ET	1-4	1-4	1-4	1-4	1-4	1-4

Distribution of luminous intensity

