

PRODUCT DATASHEET

LED WORKLIGHT 20 W 840 S-STAND

LED WORKLIGHT | Portable LED Worklight with S-Stand



AREAS OF APPLICATION

- Outdoor
- Parks
- Garages
- Construction areas

PRODUCT BENEFITS

- Optimized weight and size due to compact design
- Very homogenous light
- Energy-efficient thanks to LED technology

PRODUCT FEATURES

- Very bright and functional outdoor LED luminaires
- Type of protection: IP65
- Die-cast aluminum housing
- Quick-release fastener for adjustment of luminaire head angle
- Cable (2 m) with EU plug



TECHNICAL DATA

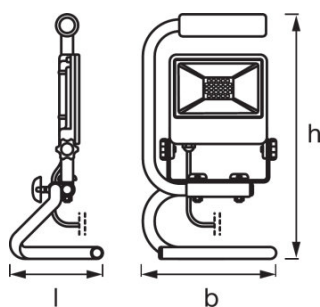
Electrical data

Nominal wattage	20.00 W
Operating mode	Mains voltage
Nominal voltage	220...240 V
Mains frequency	50/60 Hz

Photometrical data

Color temperature	4000 K
Color rendering index Ra	>80
Light color (designation)	Cool White
Luminous flux	1440 lm

Dimensions & weight



Length	170.0 mm
Width	175.0 mm
Height	275.0 mm
Product weight	1008.00 g

Colors & materials

Body material	Aluminum
Housing color	Dark gray
Product color	Dark gray
Cover material	Glass

Temperatures & operating conditions

Ambient temperature range	-20...45 °C
---------------------------	-------------

Lifespan

Lifespan	25000 h
-----------------	---------

Additional product data

Mounting type	Standing
----------------------	----------

Capabilities

Dimmable	No
Type of connection	Plug, EU

Certificates & standards

Protection class	I
Type of protection	IP65
Standards	CE

EQUIPMENT / ACCESSORIES

- Complete mounting and connecting accessories included

LOGISTICAL DATA

Product code	Product description	Packaging unit (Pieces/Unit)	Dimensions (length x width x height)	Volume	Gross weight
4058075043817	LED WORKLIGHT 20 W 840 S-STAND	Shipping carton box 12	495 mm x 395 mm x 310 mm	60.61 dm ³	14715.00 g

The mentioned product code describes the smallest quantity unit which can be ordered. One shipping unit can contain one or more single products. When placing an order, for the quantity please enter single or multiples of a shipping unit.

DISCLAIMER

Subject to change without notice. Errors and omission excepted. Always make sure to use the most recent release.