

INSTALLATION MANUAL

69066

ecounderwater



12V DC | LED | 1W | IP68 | Stainless steel 316

Requires 12V DC driver / Underwater only / 2m max depth.



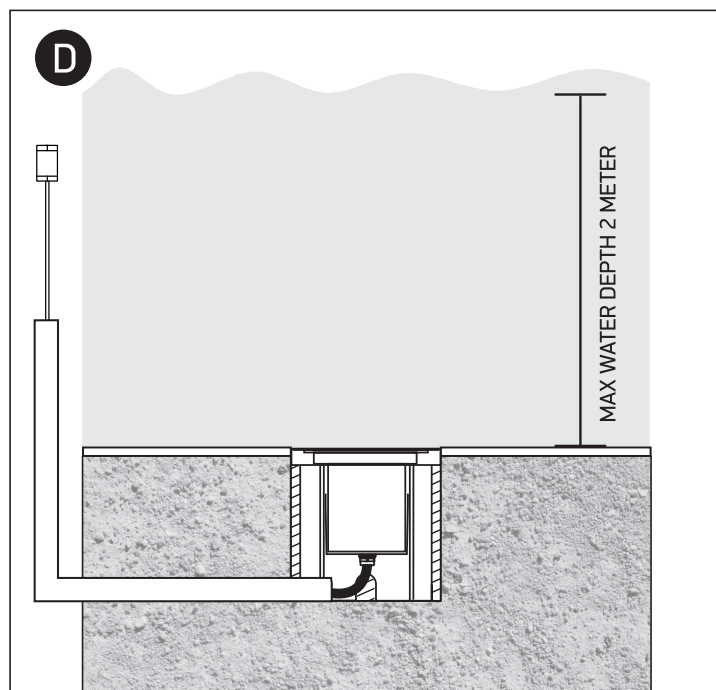
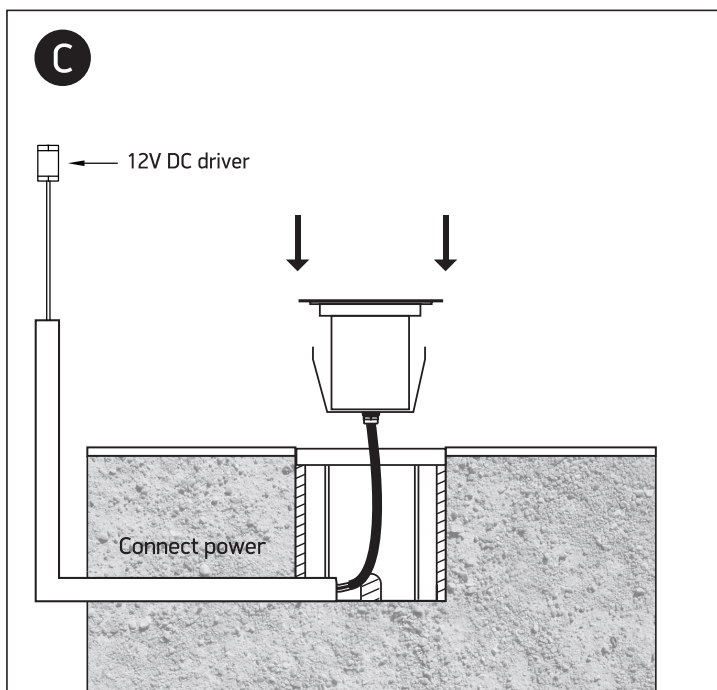
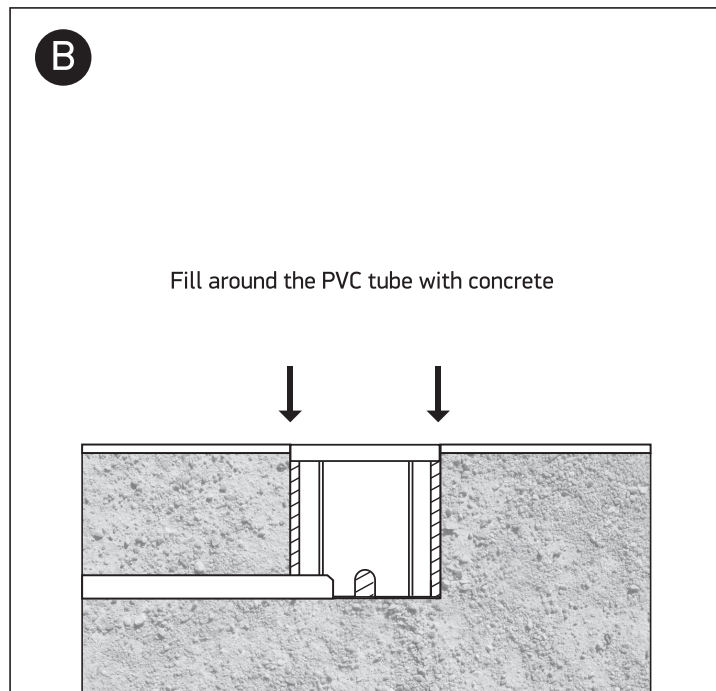
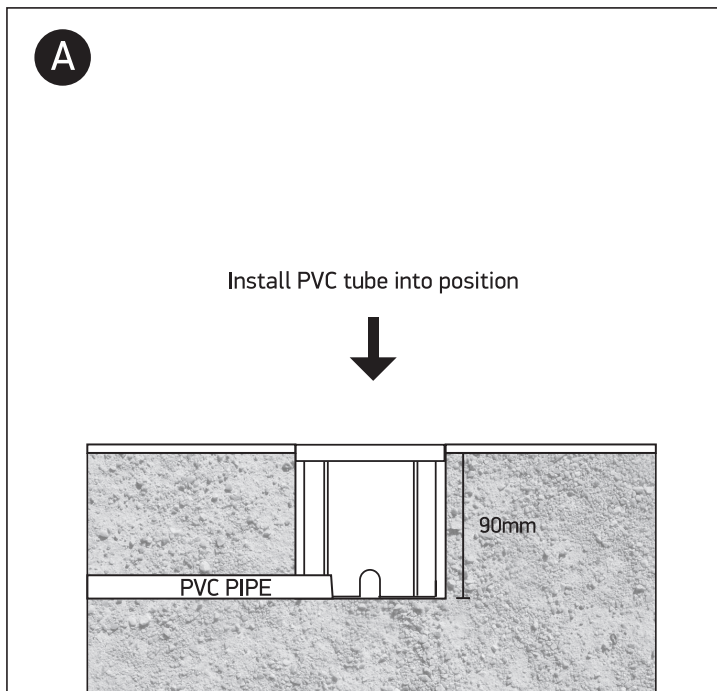
52mm



83mm



one
LIGHT



Warnings:

1. Make sure that the product is installed properly before connecting to electricity.
2. Do not cover the fitting.
3. Maintenance and installation should only be carried out by a professional electrician.