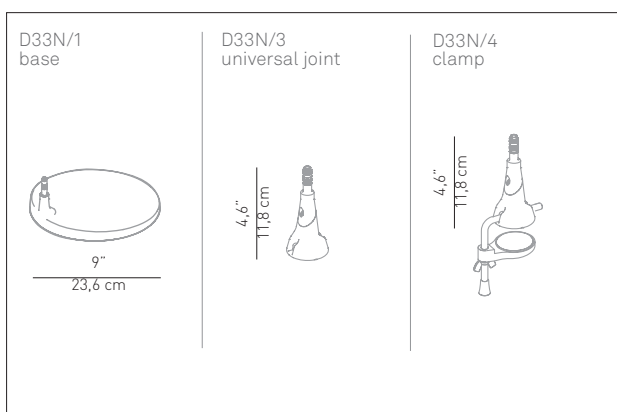
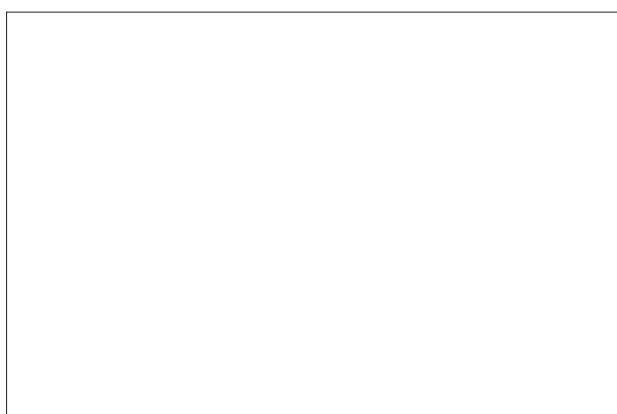
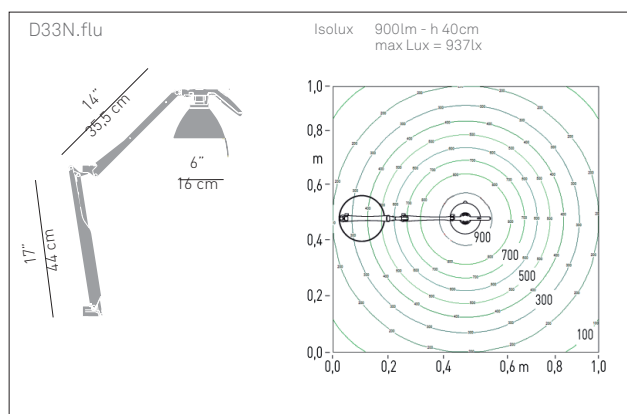


# FORTEBRACCIO

rizzato paolo, meda alberto

D33



Materials  
injection-moulded grip /moulded polycarbonate sheared and formed steel arms die-cast metal joints

Structure finishes

glossy white     
  black soft-touch     
  alu

Note

