



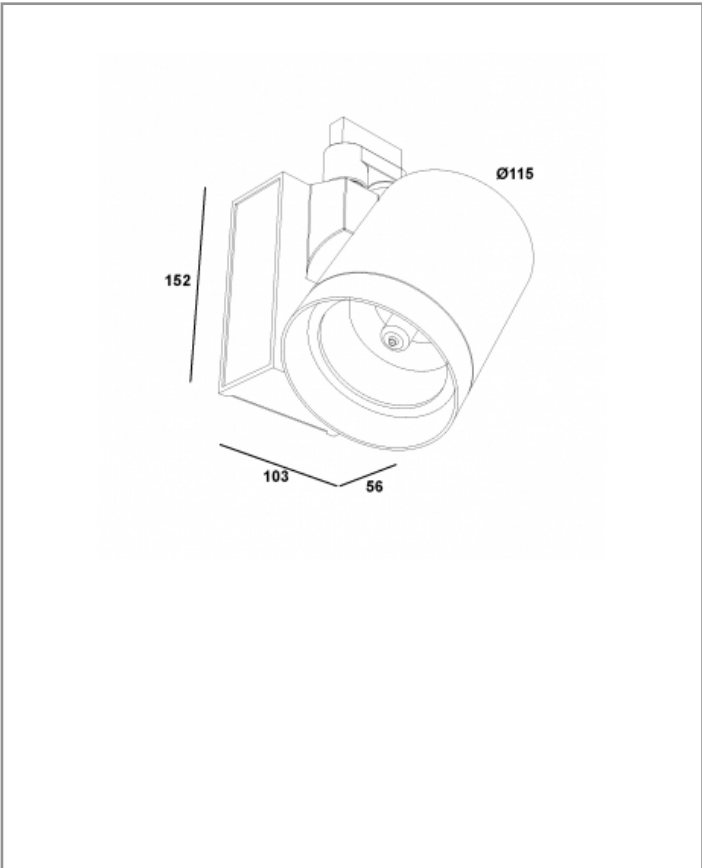
SURFACE MOUNTED » CONCEPT ADAPTOR » CDM-T 35W



BS1421
White



BS1422
Black



CE	~ 230V	35W	ALU	CDM-T HCl-T	E/CG
850°C	F				



! AVAILABLE IN 10° and 45°
UNIVERSAL 3-PHASE-ADAPTOR
AVAILABLE FROM 1/09/07