



T-TYPE 3W High Power LED
100~240V MR16
GU10/E11/E14/E17/E26/E27
Spotlight bulb



BLT16XXX-CX3H

BLT1610XX-CX3H

BLT1611XX-CX3H

BLT1614XX-CX3H

BLT1617XX-CX3H

BLT1626XX-CX3H

BLT1627XX-CX3H

T-TYPE 3W High Power LED MR16 GU10/E11/E14/E17/E27- Spotlight bulb

BLT16XXXX-CX3H: W, WW



BLT1610N25-CX3H 3W LED 100~240V MR16 GU10 Bulb, Beam Angle 25°

BLT1610S60-CX3H 3W LED 100~240V MR16 GU10 Bulb, Beam Angle 60°

BLT1611N25-CX3H 3W LED 100~240V MR16 E11 Bulb, Beam Angle 25°

BLT1611S60-CX3H 3W LED 100~240V MR16 E11 Bulb, Beam Angle 60°

BLT1614N25-CX3H 3W LED 100~240V MR16 E14 Bulb, Beam Angle 25°

BLT1614S60-CX3H 3W LED 100~240V MR16 E14 Bulb, Beam Angle 60°

BLT1617N25-CX3H 3W LED 100~240V MR16 E17 Bulb, Beam Angle 25°

BLT1617S60-CX3H 3W LED 100~240V MR16 E17 Bulb, Beam Angle 60°

BLT1626N25-CX3H 3W LED 100~240V MR16 E26 Bulb, Beam Angle 25°

BLT1626S60-CX3H 3W LED 100~240V MR16 E26 Bulb, Beam Angle 60°

BLT1627N25-CX3H 3W LED 100~240V MR16 E27 Bulb, Beam Angle 25°

BLT1627S60-CX3H 3W LED 100~240V MR16 E27 Bulb, Beam Angle 60°

Features

- High brightness.
- Long operating life (up to 50k hours max).
- Multiple color
- Compatible with Universal 100~240VAC.
- Energy efficient.
- Fast electrical response.
- Flat and compact.
- Compatible to replace 25W Halogen MR16.
- Various beam angle 25° 60°

Applications

- General lighting in small area & middle area
- General reading lighting source
- Decoration light source
- Interior lamp
- Landscape
- Entertainment Lighting
- Spotlight for jewelry

Bulb Image

1. Beam Angle 25°- Acrylic Lens(Optical PMMA)



2. Beam Angle 60°-Glass Lens(Optical Glass)



Bulb Specification

Parameters	BLT16XXN25-CX3H	BLT16XXS60-CX3H
Net Weight	60g(GU10), 70g(E11), 61g(E14), 77g(E17), 63g(E26), 63(E27)	63g(GU10), 73g(E11), 64g(E14), 81g(E17), 66g(E26), 66(E27)
Dimension	Ø49.8*63mm(GU10) Ø49.8*80mm(E11) Ø49.8*91mm(E14) Ø49.8*88mm(E17) Ø49.8*63mm(E26)(E27)	Ø49.8*63mm(GU10) Ø49.8*80mm(E11) Ø49.8*91mm(E14) Ø49.8*88mm(E17) Ø49.8*63mm(E26)(E27)
Bulb Type	MR16	MR16
Bulb Head	GU10/E11/E14/E17/E26/E27	GU10/E11/E14/E17/E26/E27
LED Source	Cree XRE	Cree XRE
LED Power Con.	2.5W	2.5W
Total Power Con.	3W	3W
Constant Current	700mA	700mA
Input Voltage Range	AC85~265V	AC85~265V
Beam Angle	N25(Acrylic Lens)	S60(Glass Lens)
Working Temp.	-40° ~+40°C	-40° ~+40°C
Ave. Life / Max. Life	Ave. 20K / Max. 50K hrs	Ave. 20K / Max. 50K hrs

Note:

W(White 5000K~6900K), WW(Warm White 2800K,~3600K,), R(Red 620nm~630nm), G(Green 520~530nm),
B(Blue460~470nm), A(Amber585~595nm) according to customized demand

Color Description & Lumens Efficiency

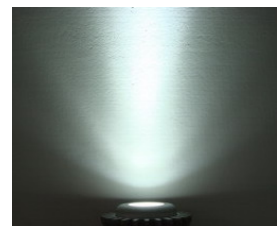
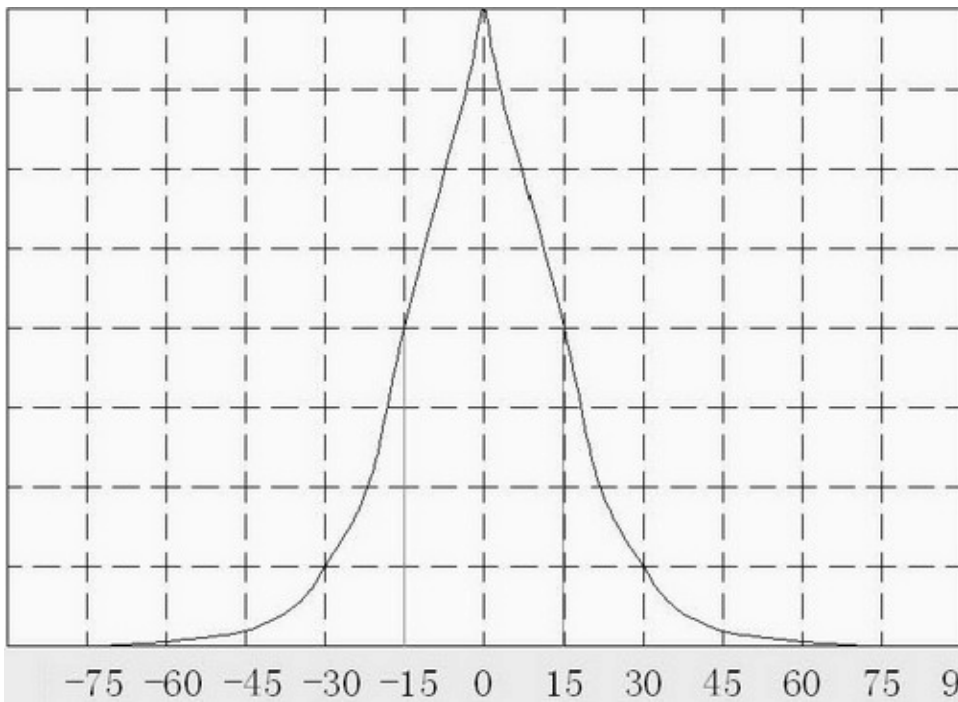
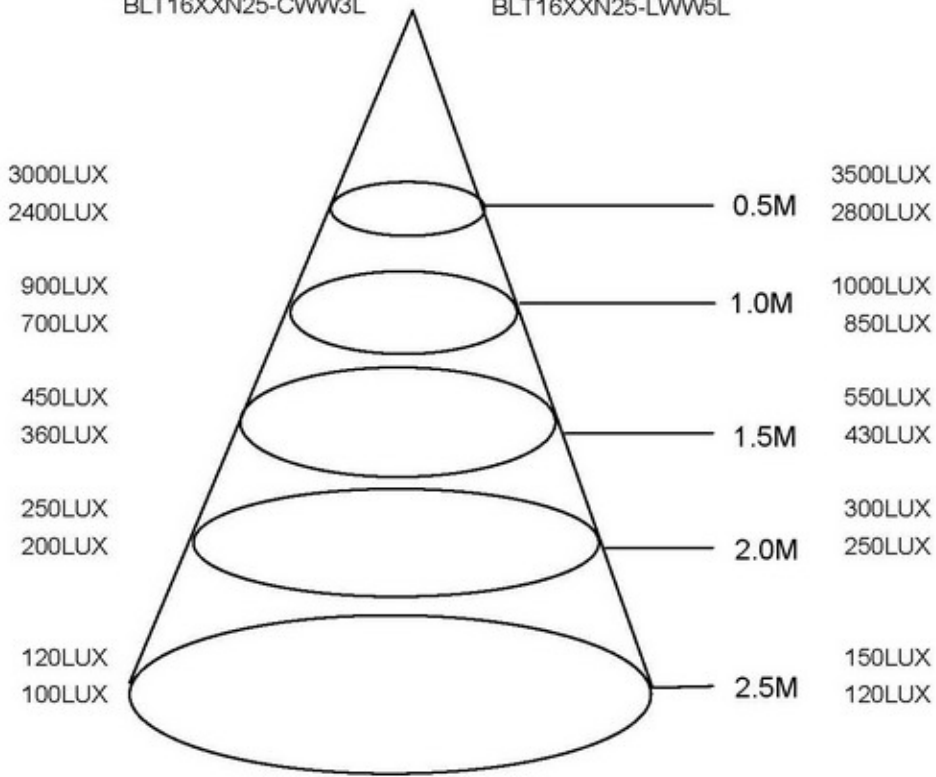
Wavelength/ Corp Temp.	Cree XRE
White 5000K,~6900K,	170lm
Warm White 2800K,~3600K,	140lm
Red 620~630nm	Luxeon K2
Green 520~530nm	Luxeon K2
Blue 460~470nm	Luxeon K2
Amber 585~595nm	Luxeon K2

Electrical / Environmental Characteristics

Part No.	IF Input Voltage	Working Voltage	LED Power Consumption	Total Power Consumption	Operating Temperature
BLT16XXXX-XX3H	220VAC	85~265VAC	2.5W	3.0W	-40° ~+40°C

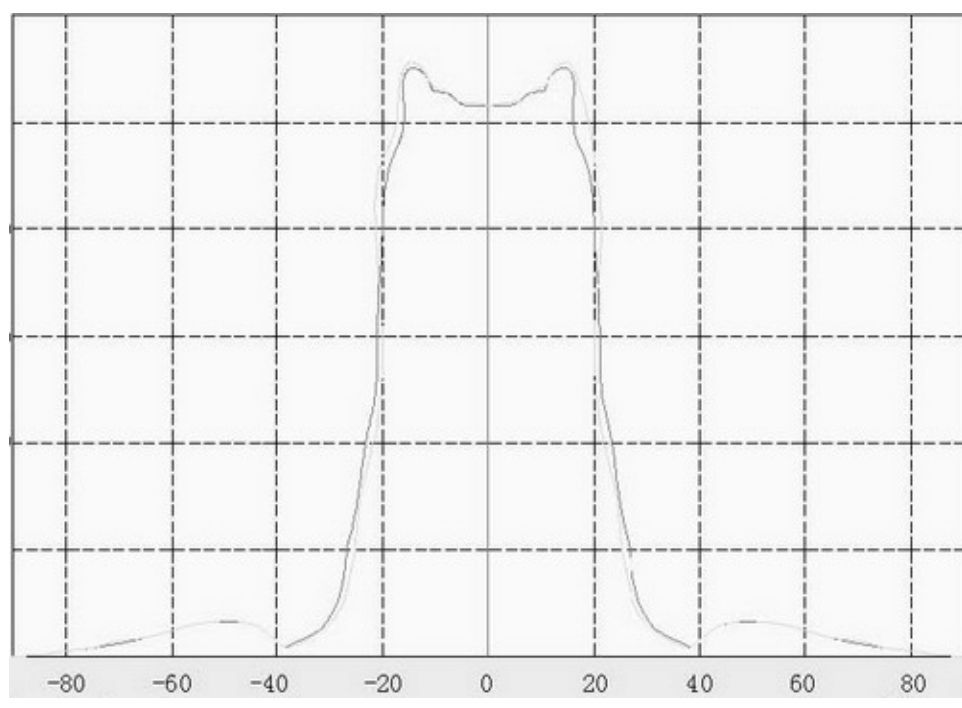
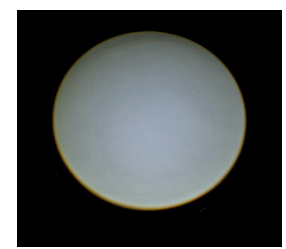
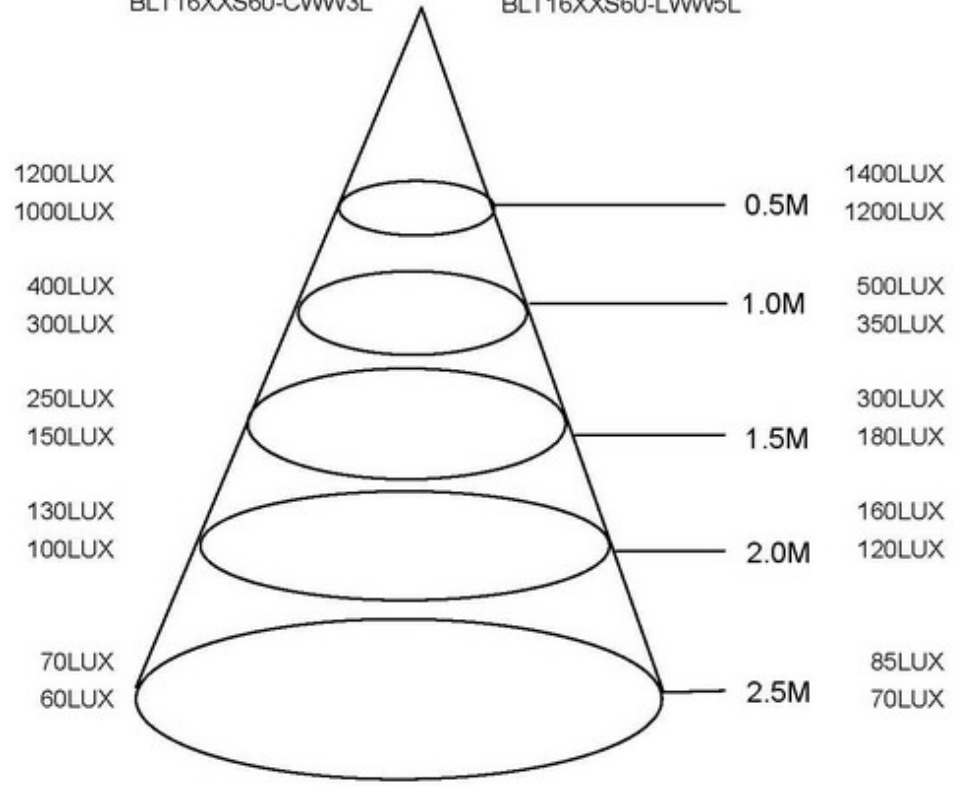
Pattern Distribution and Illumination

BLT16XXN25-CW3L BLT16XXN25-LW5L
BLT16XXN25-CWW3L BLT16XXN25-LWWW5L



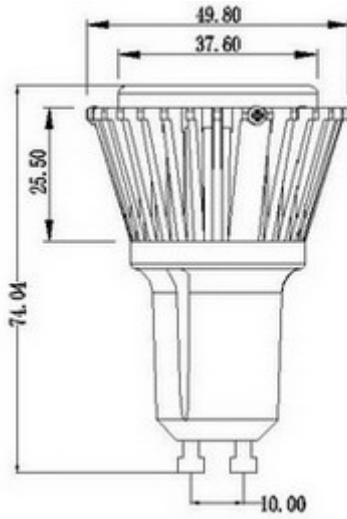
BLT16XXS60-CW3L
BLT16XXS60-CWW3L

BLT16XXS60-LW5L
BLT16XXS60-LWW5L

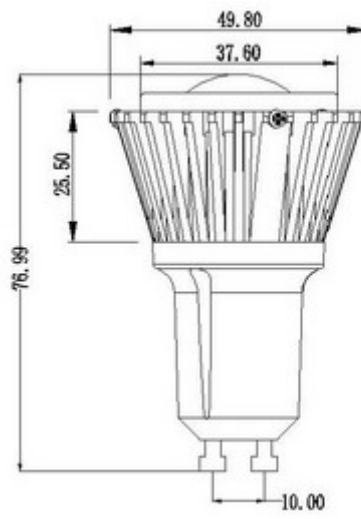


Mechanical Dimension (Unit: mm)

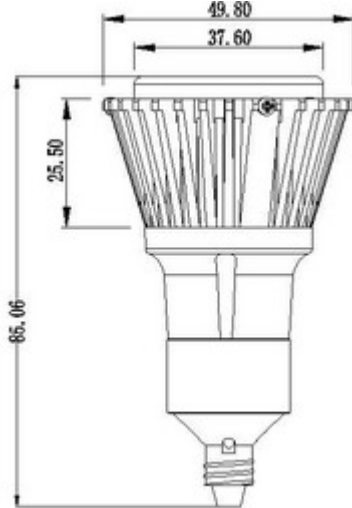
BLT1610N25-CX3H



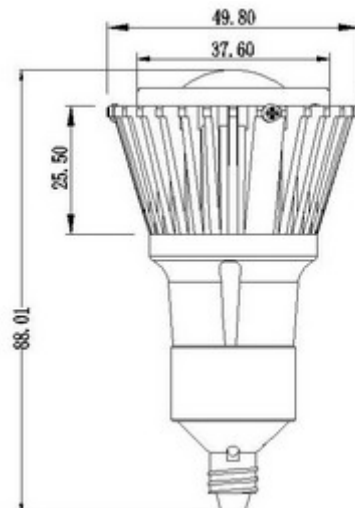
BLT1610S60-CX3H



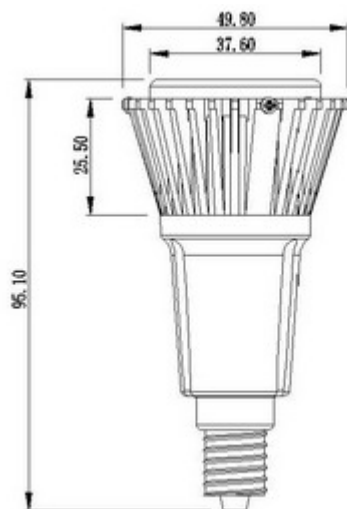
BLT1611N25-CX3H



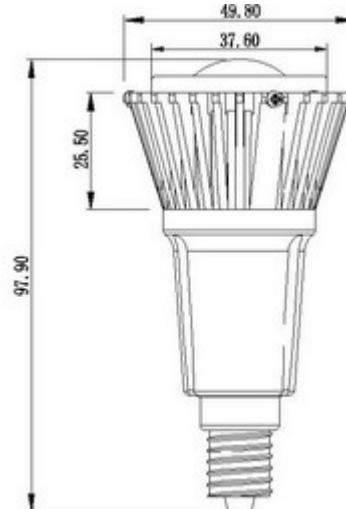
BLT1611S60-CX3H



BLT1614N25-CX3H

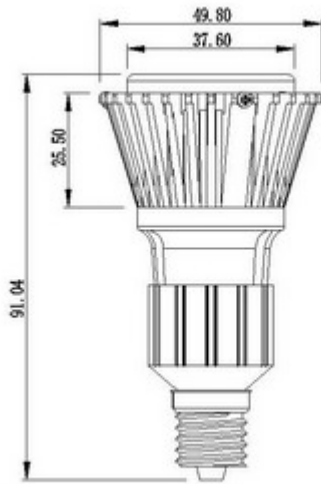


BLT1614S60-CX3H

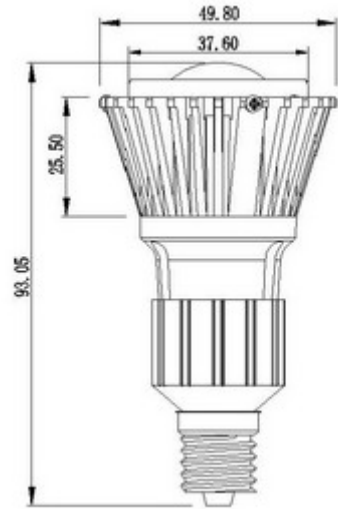


Mechanical Dimension (Unit: mm)

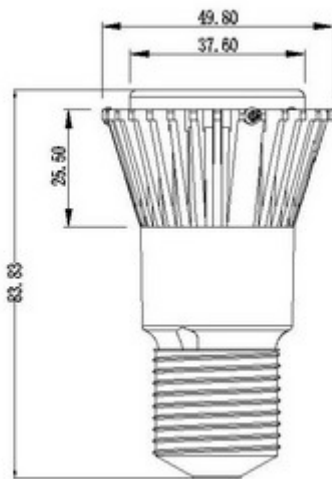
BLT1617N25-CX3H



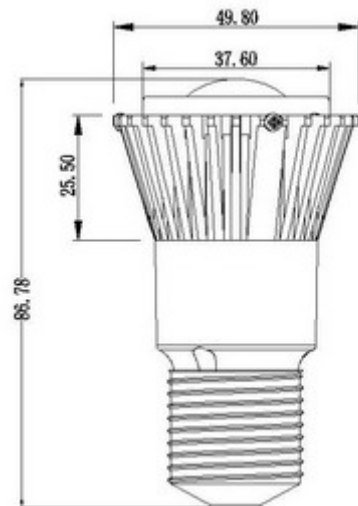
BLT1617S60-CX3H



BLT1627N25-CX3H(E26/E27)



BLT1627S60-CX3H(E26/E27)



Ordering Number for MR16 Bulb



BL X X X X X -X X X X

1. 2. 3. 4. 5. 6. 7. 8. 9. 10.

1. BL: Beautiful Light Technology Corp.,(B.L.T.C.)
2. Bulb Shape: O : O-Type; T : T-Type
3. Bulb Type: MR11-11; MR16- 16; PAR20-20; PAR30-30
4. Bulb Head(Lamp Holder): GU/GZ5.3-53; GU/GZ4.0-40; EZ10-Z10; E11-11; E14-14;
E17-17; E27-27; GU10-10; E26-26
5. Optics: N-Acrylic Lens, S-Glass Lens, D-Diffusers
6. Beam Angle: 10, 15, 25, 40, 60, 120
7. LED Brand: Nichia; C: Cree; L: Lumileds; Others: O
8. Wavelength: W White, WW Warm White, R , G , B , A
9. LED Number and LED Quantity: 1-1W, 3-3W, 5-5W, 8-8W, 12-12W, 31-3*1W, 61-6*1W,
91-9*1W
10. Input Voltage: L- 12V, M- 24V, H- 85~265V, S- Constant Current

Product Warranty

B.L.T.C warrants products for 1 year from the date of purchase to be free from defects in materials and workmanship which may lead to failure of the bulb to transmit light.

During the warranty period, if the product fails to perform as described above, B.L.T.C entire liability will be the repair or replacement of such defective product. In no event shall B.L.T.C be responsible for removal or reinstallation of any product or for the expenses thereof. The above warranty does not apply to, and B.L.T.C makes no warranties with respect to products which have been subjected to misuse neglect, accident, abuse, or operating or environment conditions that deviate from the parameters established in applicable specifications; or have been improperly installed, stored, maintained, repaired or altered by anyone other than B.L.T.C; or have had their serial numbers or month and year of manufacture or shipment removed, defected or altered. This warranty is given only to the original purchase and may not be assigned or transferred to any other party. It is purchaser's obligation to retain documentation that indicated date of purchase.

Safety & Environment Specifications for MR-16 LED Bulb

B.L.T.C LED MR16 bulbs are manufactured to conform to the following safety criteria for CE approbations & RoHS:

EMC: ASCE06210 ASCE06187

RoHS: BTRS0605180105 Test Standard: 2002/95/EC; EPA3050B:1996, EN1122:2001, EPA3052:1996, EPA3060A, EPA7196, EPA3540C, EPA8270C

Although B.L.T.C LED MR16 bulbs are suitable for both indoor and outdoor application, extreme care should be taken in wet conditions when working with mains powered devices. Power supplies used with these products should be UL/CE/FCC listed or similarly approved device. These products are not intended to be waterproof and can not be used in submersed applications without the proper waterproof housings.