

2~, 120V Track Accessories

Used on 230/233 series ceiling track

Color:-1: White, -2: Black, -3: Silver



553-1-1201: Live End Feed,earth**right** w/o data

553-1-1202: Live End Feed, earth **left** w/o data

553-2-1201: Live End Feed, earth **right w/ data**

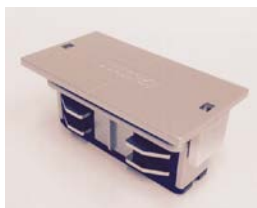
553-2-1202: Live End Feed, earth **left w/ data**



555-0-1217: End Cap

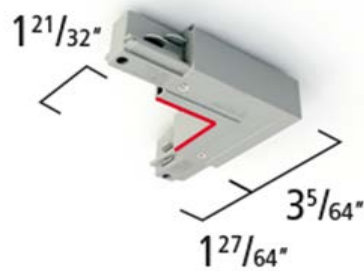


551-1-1206: Straight Coupler. Used for splicing track sections and transferring power along spliced sections.



555-2-1206: Straight Coupler **w/ data**. Used for splicing track sections, transferring power and data along spliced areas.

This information is subject to change without notice.

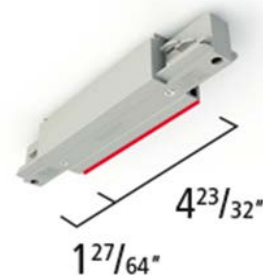


553-1-1209: L Coupler w/ feed option **outside**

553-1-1210:L Coupler w/feed option **inside**

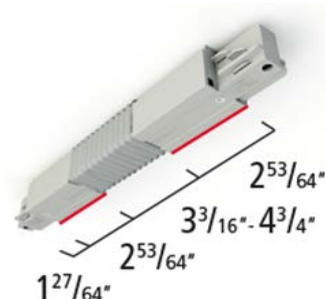
553-2-1209:L Coupler **w/data**, feed option **outside**

553-2-1210:L Coupler **w/data**, feed option **inside**



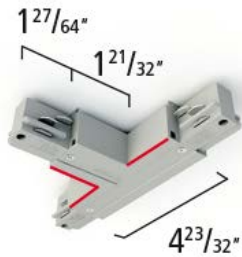
553-1-1208: I Coupler with feed position

553-2-1208: I Coupler **w/ data** & feed position



553-1-5211: Flex Coupler (30-300 degree) w/ feeding option

553-2-5211: Flex Coupler (30-300 degree) **w/ data** and feeding option

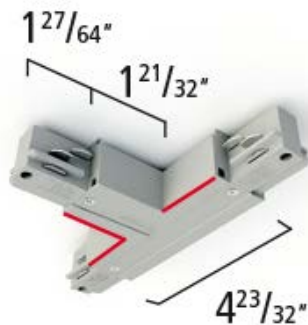


553-1-1212: T Coupler w/ feed option **inside earth right**

553-1-1213: T Coupler w/ feed option **inside earth left**

553-1-1214: T Coupler w/ feed option **outside earth right**

553-1-1215: T Coupler w/ feed option **outside earth left**

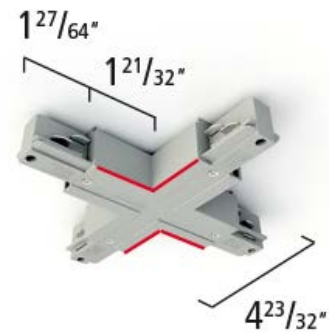


553-2-1212: T Coupler w/ feed option **inside earth right w/ data**

553-2-1213: T Coupler w/ feed option **inside earth left w/ data**

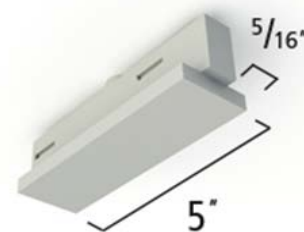
553-2-1214: T Coupler w/ feed option **outside earth right w/ data**

553-2-1215: T Coupler w/ feed option **outside earth left w/ data.**



553-1-1216: X Coupler w/ feed option

553-2-1216: X Coupler w/ feed option and **data**



553-1-5203: Mid Feed w/o Data

553-2-5203: Mid Feed w/ Data

Can be placed anywhere along track. Track does not have to be cut to install mid feed. Hole must be drilled in track to receive power into mid feed.

Specifications:

Material is fabricated of self-extinguishing polycarbonate to UL94 class VO. Low profile of unit is equal to the height profile of track series 230 / 233.

Accessories accepting power is concealed through the bottom. Live end feeds have 2 locations. (Exposed and concealed)

